



**PERFORMANCE DATA SHEET
NEMA PREMIUM NR CAN NEMA 12 - 12**

Catalogue #: MQP-67

HP	kW	Voltage	S.F. @ 60Hz	EFF.	P.F.	Frame	Design	L.R. Amps
60	44,76	230/460	1,15	95,0%	0,85	364T	B	435

60 Hz								Code	F.L. RPM
208	230	416	460	480	575	600			
/	138	/	69,00	/	/			G	1780

50 Hz								
FLA			S.F. @ 50Hz	Efficiency	Power Factor	Code	F.L. RPM	
190	380	415						
168,0	84		1,00	93,6%	0,860	D	1480	

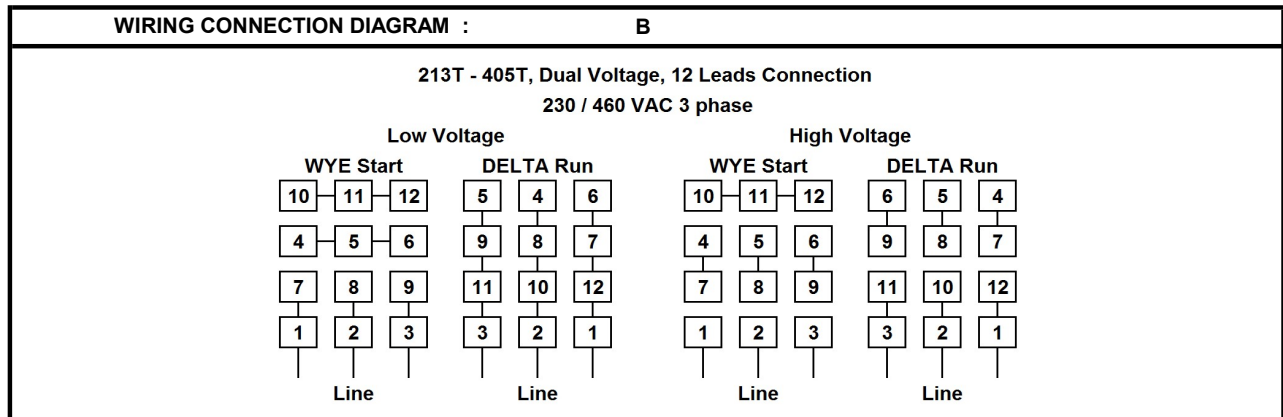
Wgt. Lbs	PH	Duty	Insul. Class	Amb.	Elevation	Temp. Rise° C
766	3	Cont.	F	40°C	1000M (3,300 Ft)	71

% Efficiency		% Power Factor		Torque		Winding Resist. Ω	Safe Cold Start (Secs)
Full Load:	95,0%	Full Load:	0,85	Full Load Ft/Lbs	177,0		
3/4 Load:	95,0%	3/4 Load:	0,83	Locked Rotor %	160		
1/2 Load:	95,0%	1/2 Load:	0,75	Break Down %	240	0,1	20

Rotor Inertia Wk2 Lb-Ft2	Max Load Inertia Wk2 Lb-Ft2	Shaft Material	Frame Material	DE Bracket Type	ODE Bracket Type	Enclosure	NEMA Rating	Lead Wire Size
11,87	380	1045	Cast Iron	Cast Iron	Cast Iron	TEFC	IP55	7AWG

Ball Bearings		Grease	Mount Type	Orientation	Paint	Sound Pressure @ 3FT	Sound Power
DE	ODE						
6313	6313	Mobil PolyrexEm	Rigid	Horizontal	RAL6022	84	95

Inverter Duty, Motor meets MG1 parts 31.4.4.2	VFD SF	Constant Torque Range	Variable Torque Range	Constant HP RPM
	1,00	10:1	20:1	2700

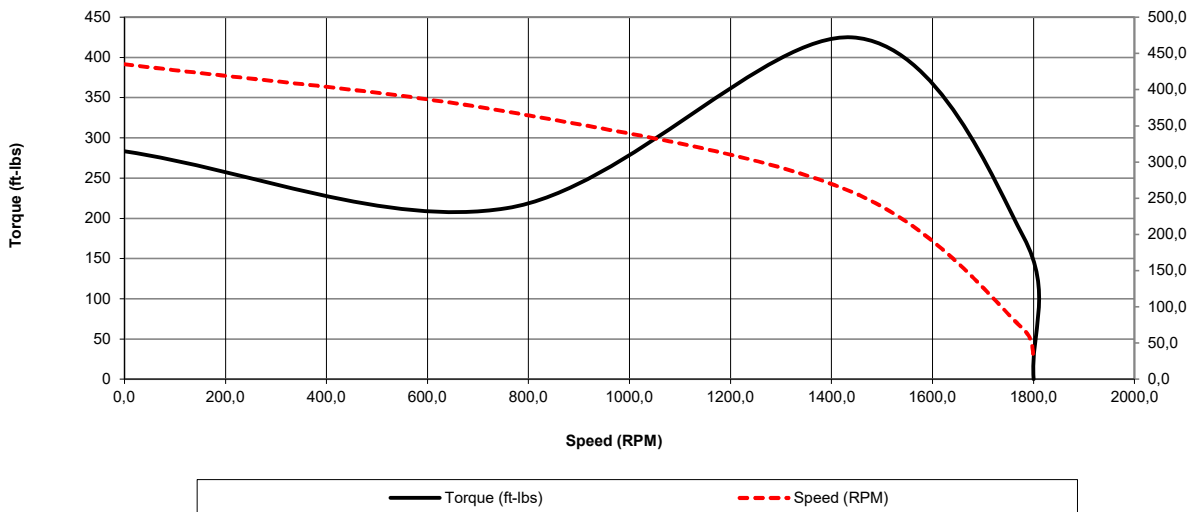


Date: 2023-12-13
 Customer: _____
 Contact: _____
 Submittee: J.C. Lavallée

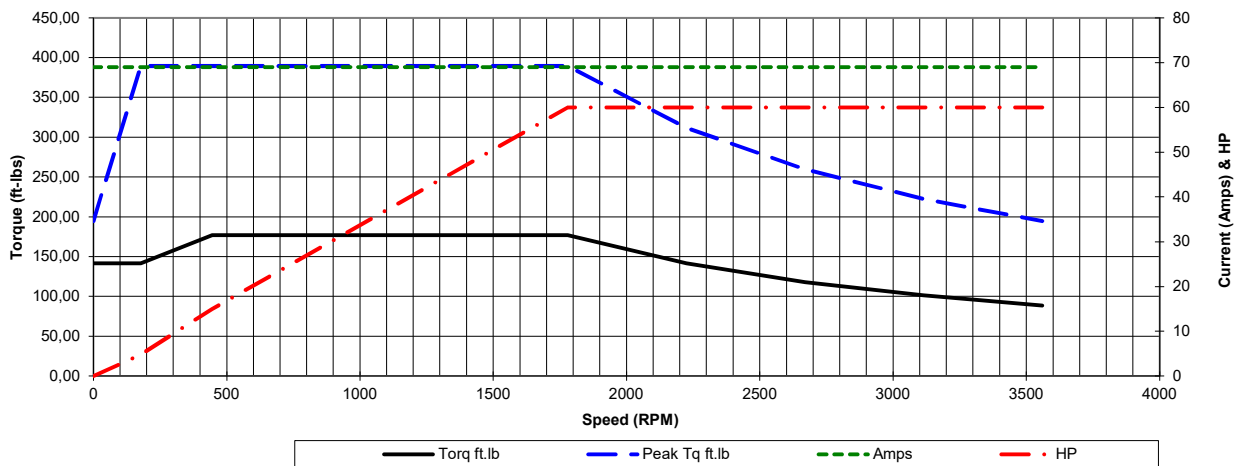
Catalogue #: MQP-67

NEMA PREMIUM NR CAN NEMA 12 - 12										
HP	VAC	RPM	Enclosure	Frame	Frequency	Design	Poles	LR Code Letter	Insulation Class	Temp. Rise °C
60	460	1780	TEFC	364T	60 Hz	B	4	G	F	71
	0Hz	6Hz	15Hz	30Hz	45Hz	60 Hz	75Hz	90Hz	105Hz	120Hz
Amps	69	69	69	69	69	69	69	69	69	69
RPM	0	178	445	890	1335	1780	2225	2670	3115	3560
Torq ft.lb	141,63	141,63	177,03	177,03	177,03	177,03	141,63	118,02	101,16	88,52
Peak Tq ft.lb	194,74	389,47	389,47	389,47	389,47	389,47	311,58	259,65	222,56	194,74
HP	0	4,8	15,0	30,0	45,0	60,0	60,0	60,0	60,0	60,0
	Locked Rotor	Pull-Up	Breakdown	Rated Load	Idle	Duty	S. F.	Ambient	Elevation	dBA @ 1M
Speed (RPM)	0,0	756	1440	1780	1800	Continuous	1,15	40°C	3,300 ft	84
Current (Amps)	435,0	369,8	258,8	69,0	26,2	VFD Rating: Meets MG1 parts 31.4.4.2				
Torque (ft-lbs)	283,3	212,4	424,9	177,0	0,0	C.T.	10:1	V.T.	20:1	VFD SF 1.00

Motor Speed Data



Motor Torque Capability vs RPM





Date: 2023-12-13
 Customer: _____
 Contact: _____
 Submittee: J.C. Lavallée

Catalogue #: **MQP-67**

NEMA PREMIUM NR CAN NEMA 12 - 12										
HP	VAC	RPM	Enclosure	Frame	Frequency	Design	Poles	LR Code Letter	Insulation Class	Temp. Rise °C
60	460	1780	TEFC	364T	60 Hz	B	4	G	F	71
Load %	0%	25%	50%	75%	100%	125%	150%			
Amps	26,22	29,46	40,85	53,89	69,00	87,48	107,52			
Torq ft/lbs	0	43,89	88,02	132,40	177,03	221,92	267,05			
RPM	0	1795	1790	1785	1780	1775	1770			
Eff	0	84,52	95,00	95,00	95,00	93,51	93,14			
PF	0	56,4	75	83	85	85,85	84,15			
	Locked Rotor	Pull-Up	Breakdown	Rated Load	Idle	Duty	S. F.	Ambient	Elevation	dBa @ 1M
Speed (RPM)	0	756	1440	1780	1800	Continuous	1,15	40°C	3,300 ft	84
Current (Amps)	435	369,8	258,8	69	26,22	VFD Rating: Meets MG1 parts 31.4.4.2				
Torque (ft-lbs)	283,25	212,44	424,88	177,03	0,0	C.T.	10:1	V.T.	20:1	VFD SF 1.00

